



**Model Number:**

Model Name:

Style:

Designation:

Material:

Coating:

Faucet Mounting:

**EKOTS-COM**

"Original" Trough Countersink

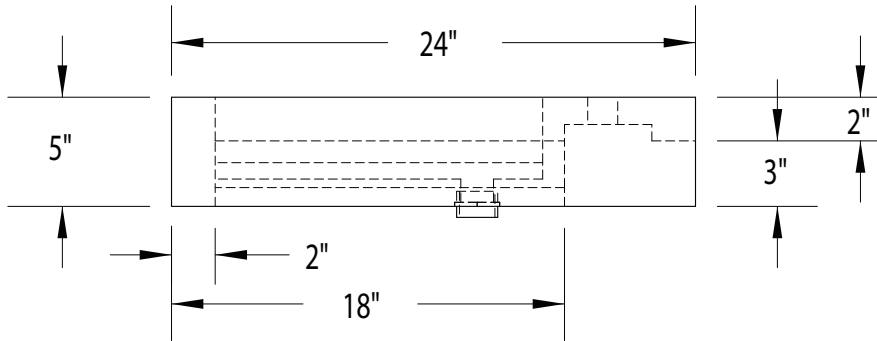
Trough Style

Commercial

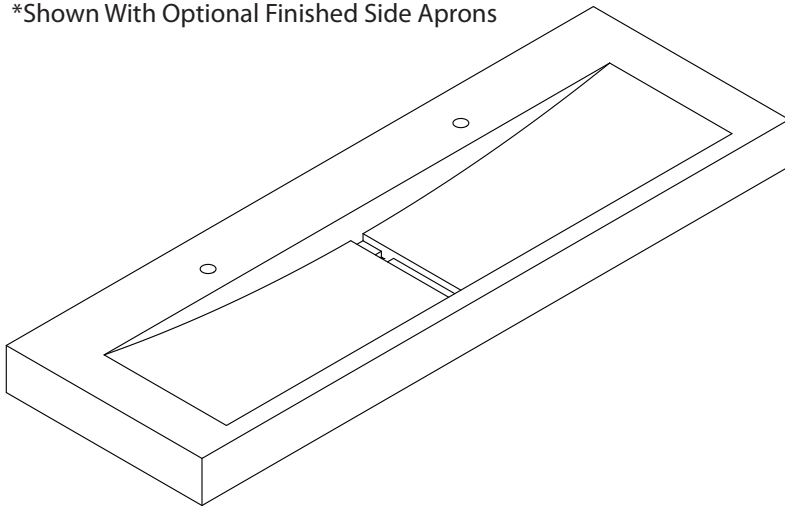
Cold Fired Ceramic

EKOLI+VPTK

Deck Mount



\*Shown With Optional Finished Side Aprons



**Key Features:**

- ADA Compliant
- Handcrafted In USA (ARRA Compliant)
- CSA B45.8 13/IAPMO Z403 2013 Compliant
- All Natural Chemical Free
- LEED Credits - High Recycled Material Content
- EkoLi+ Stain Resistant Finish
- Custom Sizes and Styles Available

**Available Options:**

- Finished side aprons
  - Wall Mount Faucet Model
  - Mounting Brackets
- (See Eko Concealed Mounting Brackets)

Model Number	L x D x H	Basin Length	Drains
EKOTS-COM24	24" x 24" x 5"	14" Basin Length Standard	Single Drain
EKOTS-COM36	36" x 24" x 5"	26" Basin Length Standard	Single Drain
EKOTS-COM48	48" x 24" x 5"	38" Basin Length Standard	Single Drain
EKOTS-COM60	60" x 24" x 5"	50" Basin Length Standard	Single Drain
EKOTS-COM66	66" x 24" x 5"	56" Basin Length Standard	Single Drain
EKOTS-COM72	72" x 24" x 5"	62" Basin Length Standard	Single Drain
EKOTS-COM78	78" x 24" x 5"	68" Basin Length Standard	Single Drain
EKOTS-COM84	84" x 24" x 5"	74" Basin Length Standard	Single Drain
EKOTS-COM90	90" x 24" x 5"	80" Basin Length Standard	Single Drain
EKOTS-COM96	96" x 24" x 5"	86" Basin Length Standard	Single Drain

\* Custom Lengths, Widths, and Configurations Available.



Model Number:

EKOTS-COM

Model Name:

"Original" Trough Countersink

Style:

Trough Style

Designation:

Commercial

Material:

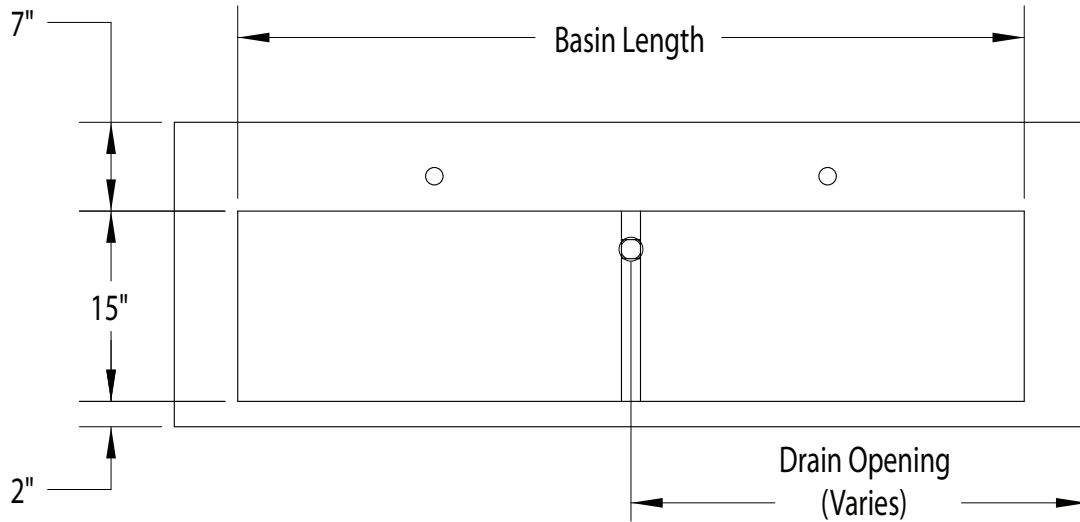
Cold Fired Ceramic

Coating:

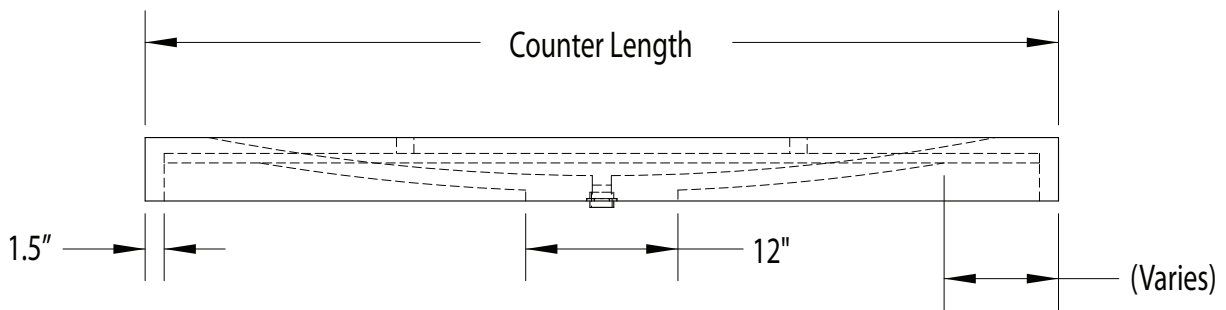
EKOLI+VPTK

Faucet Mounting:

Deck Mount



\*Shown With Optional Finished Side Walls



**Cleaning:**

Most stone care surface cleaners are fine to use on Eko Magnesium Ceramics. You can also use warm water and soap. Harsh, abrasive or acidic cleaning agents should never be used.

**EkoLi+ Stain Resistant Treatment:**

EkoLi+ is a hybrid surface and subsurface treatment that needs some time to gain stain and water resistance. For the first 7 days after treatment date, dry any surface water and clean staining agents immediately. Prolonged exposure to products that are acidic or have high staining properties must be avoided. Some liquid hand soap and cleaning products actually contain acidic ingredients that, over time, can harm your surface and may void your warranty. Eko Living Elements LLC recommends a paste or spray wax to be applied every month to help protect your EkoLi+ surface treatment.

**Color and Material Selections:**

**- EkoPure (EP)**

- Cobblestone Beach EP
- Concrete Gray EP
- Dry Creak EP
- Moonstone Beach EP
- Sage Brook EP
- Sierra Ridge EP
- Sunrise Cove EP
- Sonoma Gold EP
- Titanium White EP

**- EkoStone (ES)**

- Cobblestone Beach ES
- Concrete Gray ES
- Dry Creak ES
- Moonstone Beach ES
- Sage Brook ES
- Sierra Ridge ES
- Sunrise Cove ES
- Sonoma Gold ES
- Titanium White ES