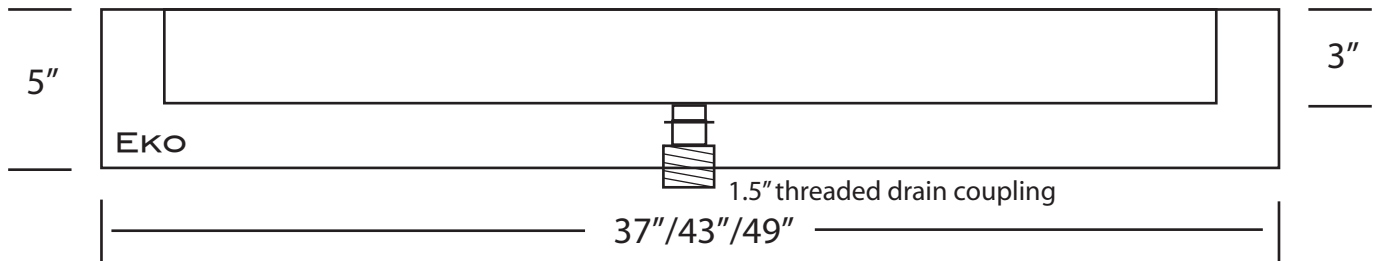
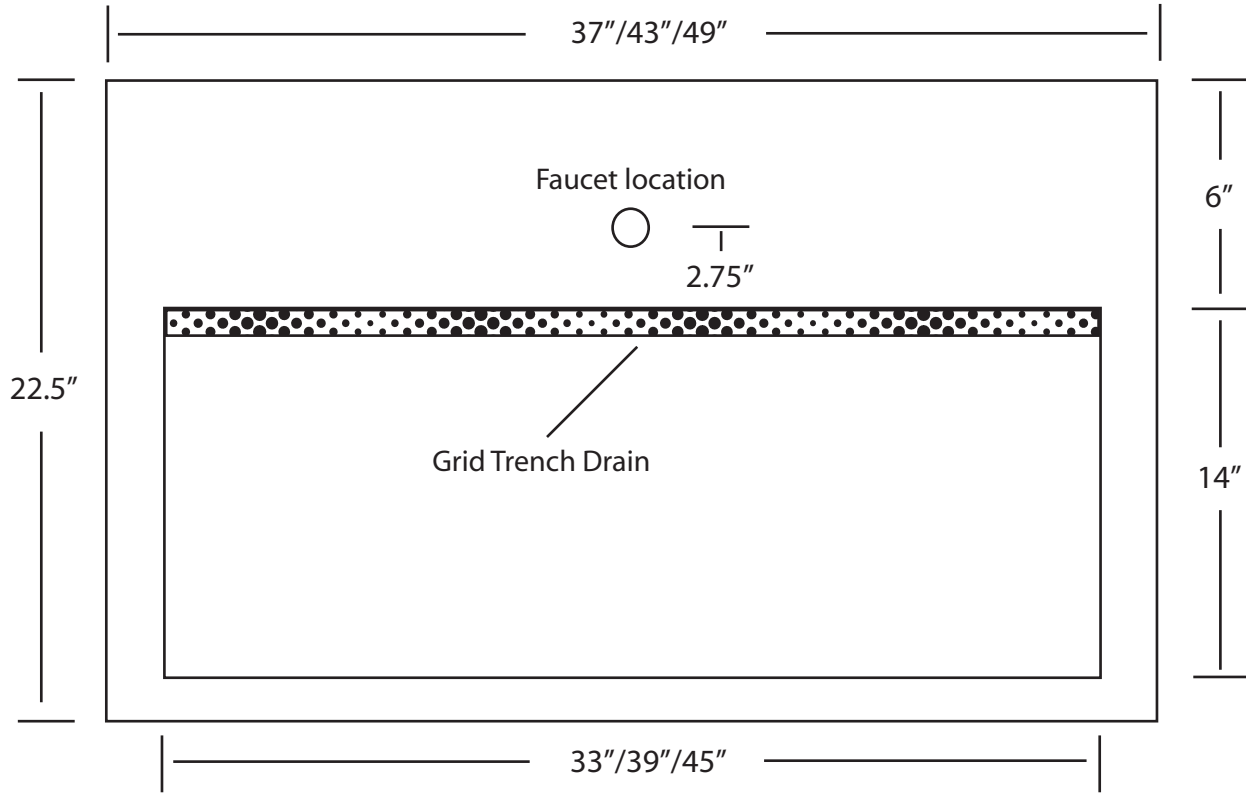


EKO

Magnesium Ceramic Living Elements

- All Eko products are manufactured out of our exclusive Magnesium Ceramic binder.
- Precast single faucet hole. Additional holes available.
- May use deck-mount or wall-mount faucets.
- Wall-mounted, supported at ends and/or back wall. Support brackets by others.
- All designs over 60" require wall-mounted center support bracket.
- Design incorporates 5" apron that is ADA compliant.
- Product displays manufacturer's label. Weight varies by design.
- Order samples call 800-906-5838 or E-mail Gil at gil@eko-us.com.

Eko . 10107 E. Belmont Ave . Sanger, CA 93657 . t (800)906-5838 . f (559)456-8915 . www.eko-us.com



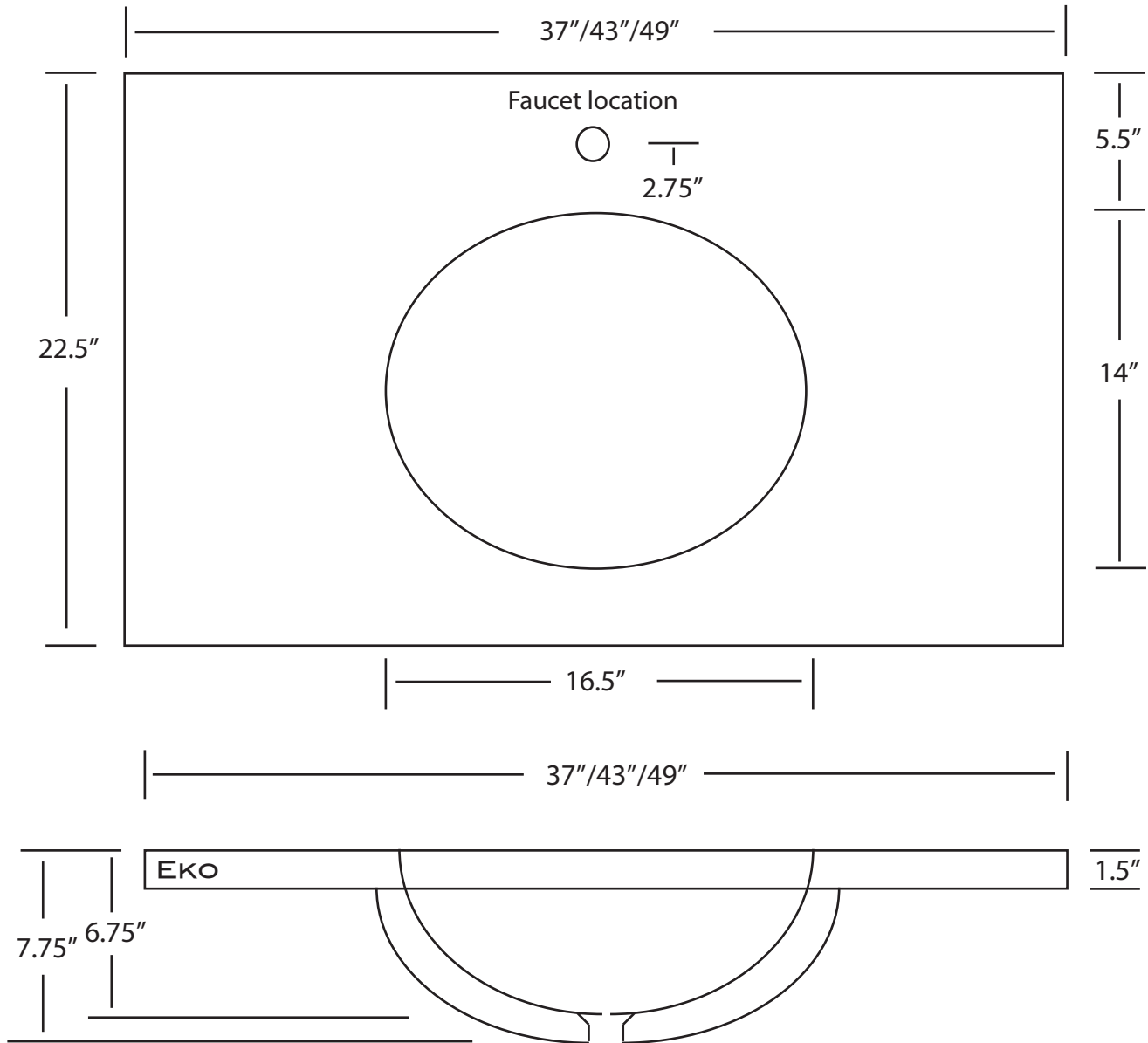
Eko Residential Incline Countersink									
Ordering Options		Faucet Model: _____				Amount of Faucets: _____			
Counter Length:	37"	43"	49"	Other _____	Basin Length:	33"	39"	45"	
Material:	EkoPure	EkoStone	EkoVitra	EkoTwist					
Color: _____					Customer: _____				
Project: _____					Date: _____				

EKO

Magnesium Ceramic Living Elements

- All Eko products are manufactured out of our exclusive Magnesium Ceramic binder.
- Precast single faucet hole. Additional holes available.
- May use deck-mount or wall-mount faucets.
- Wall-mounted, supported at ends and/or back wall. Support brackets by others.
- All designs over 60" require wall-mounted center support bracket.
- Product displays manufacturer's label. Weight varies by design.
- Order samples call 800-906-5838 or E-mail Gil at gil@eko-us.com.

Eko . 10107 E. Belmont Ave . Sanger, CA 93657 . t (800)906-5838 . f (559)456-8915 . www.eko-us.com



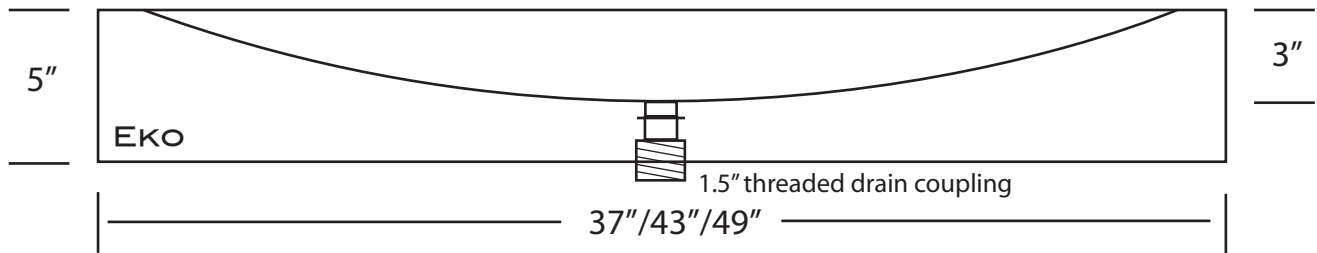
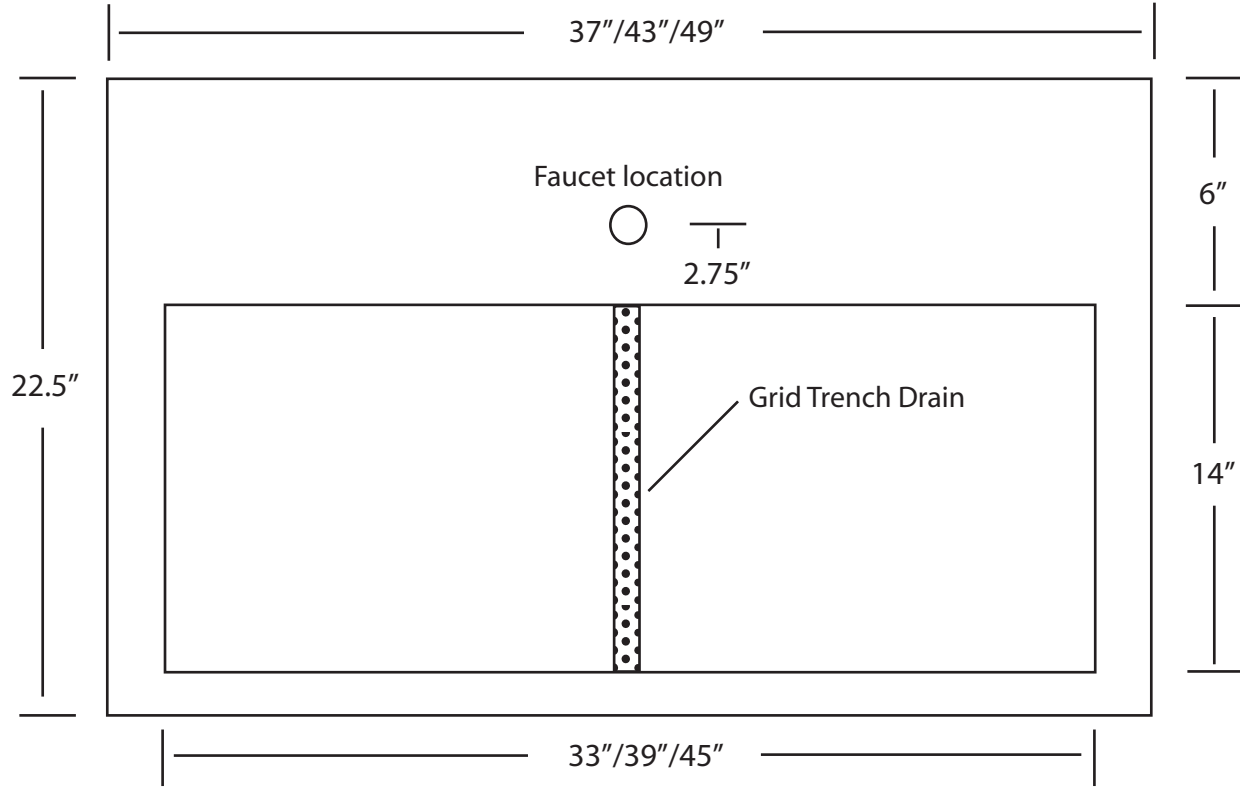
Eko Residential Integral Countersink				
Ordering Options	Faucet Model: _____		Amount of Faucets: _____	
Counter Length:	37"	43"	49"	Other _____
Material:	EkoPure	EkoStone	EkoVitra	EkoTwist
Color: _____	Customer: _____			
Project: _____	Date: _____			

EKO

Magnesium Ceramic Living Elements

- All Eko products are manufactured out of our exclusive Magnesium Ceramic binder.
- Precast single faucet hole. Additional holes available.
- May use deck-mount or wall-mount faucets.
- Wall-mounted, supported at ends and/or back wall. Support brackets by others.
- All designs over 60" require wall-mounted center support bracket.
- Design incorporates 5" apron that is ADA compliant.
- Product displays manufacturer's label. Weight varies by design.
- Order samples call 800-906-5838 or E-mail Gil at gil@eko-us.com.

Eko . 10107 E. Belmont Ave . Sanger, CA 93657 . t (800)906-5838 . f (559)456-8915 . www.eko-us.com



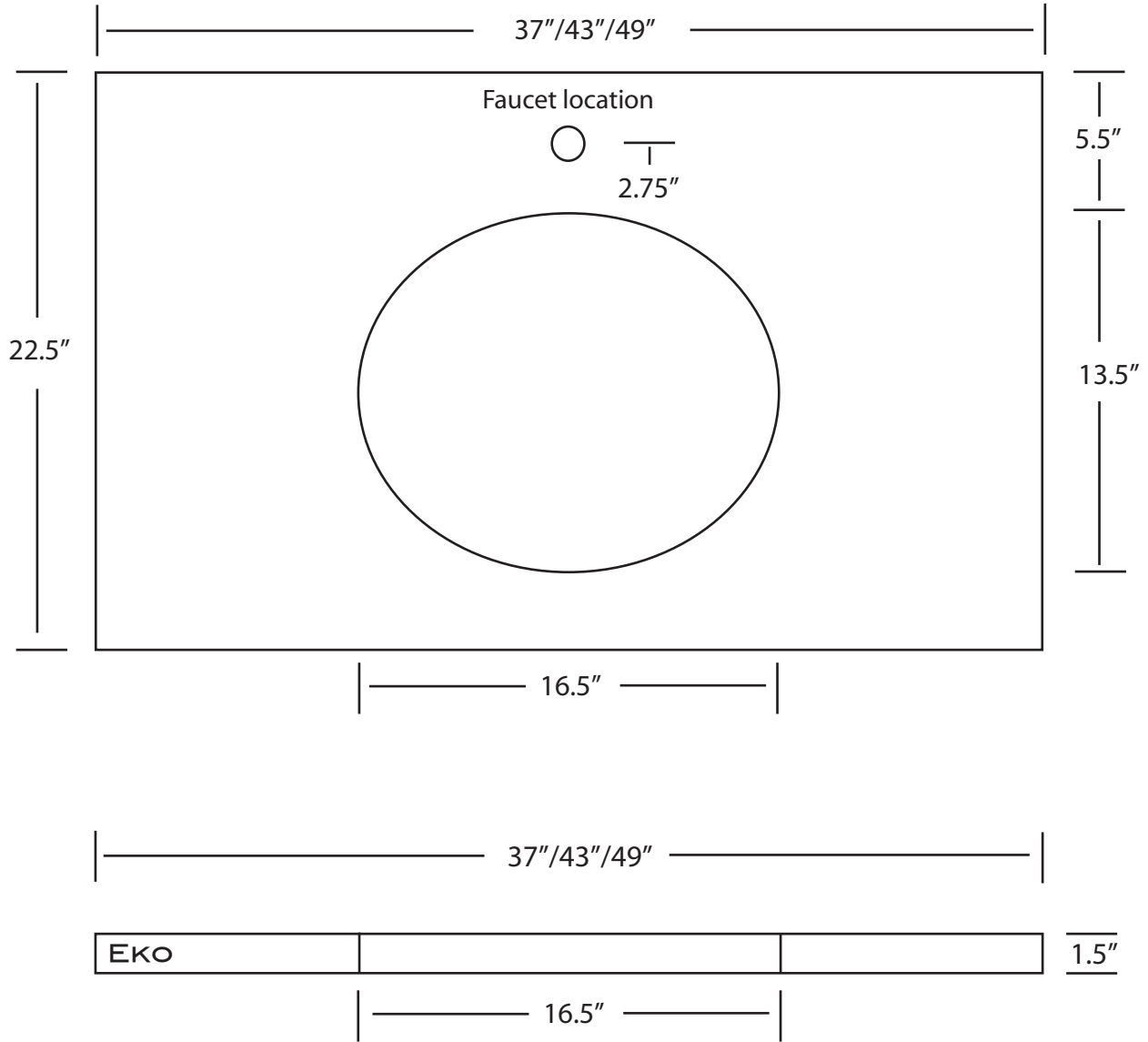
Eko Residential Trough Countersink									
Ordering Options					Faucet Model: _____ Amount of Faucets: _____				
Counter Length:	37"	43"	49"	Other _____	Basin Length:	33"	39"	45"	
Material:	EkoPure	EkoStone	EkoVitra	EkoTwist					
Color:	_____				Customer:	_____			
Project:	_____				Date:	_____			

EKO

Magnesium Ceramic Living Elements

- All Eko products are manufactured out of our exclusive Magnesium Ceramic binder.
- Precast single faucet hole. Additional holes available.
- EkoPure Standard Material.
- May use deck-mount or wall-mount faucets.
- Wall-mounted, supported at ends and/or back wall. Support brackets by others.
- All designs over 60" require wall-mounted center support bracket.
- Product displays manufacturer's label. Weight varies by design.
- Order samples call 800-906-5838 or E-mail Gil at gil@eko-us.com.

Eko . 10107 E. Belmont Ave . Sanger, CA 93657 . t (800)906-5838 . f (559)456-8915 . www.eko-us.com



Eko Residential Vanity Top				
Ordering Options	Faucet Model: _____		Amount of Faucets: _____	
Counter Length:	37"	43"	49"	Other _____
Material:	EkoPure	EkoStone	EkoVitra	EkoTwist
Color: _____	Customer: _____			
Project: _____	Date: _____			