

# EKO

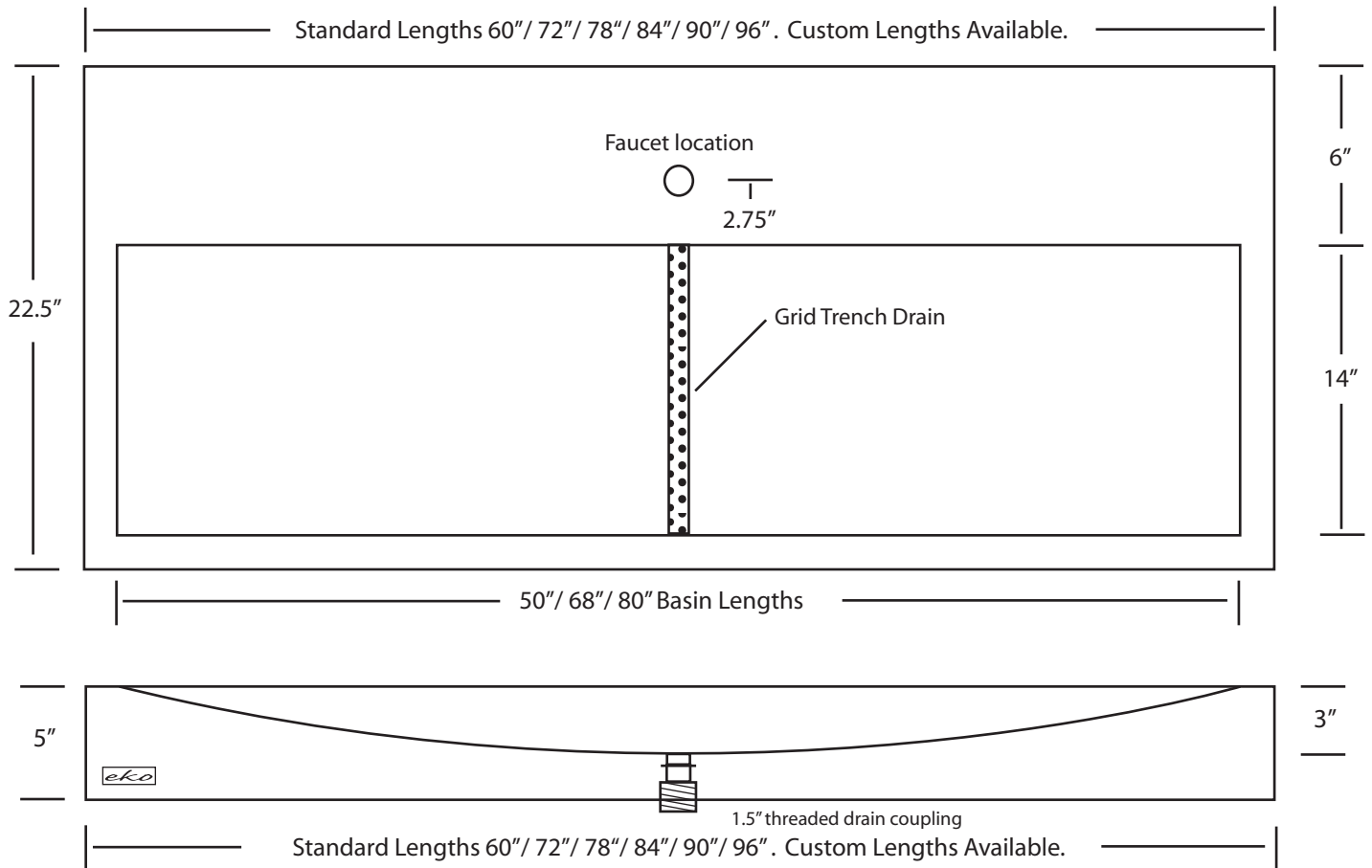
Magnesium Ceramic Living Elements

- All Eko products are manufactured out of our exclusive Magnesium Ceramic binder.
- Faucet and Soap Dispenser Hole(s) pre-cast to customer specifications.
- May use deck-mount or wall-mount faucets.
- Wall-mounted, supported at ends and/or back wall. Support brackets by others.
- All designs over 60" require wall-mounted center support bracket.
- Design incorporates 5" apron that is ADA compliant.
- Commercial Product displays manufacturer's label. Weight varies by design.
- Order samples call 800-906-5838 or E-mail Gil at gil@eko-us.com.

Eko . 10107 E. Belmont Ave . Sanger, CA 93657 . t (800)906-5838 . f (559)456-8915 . www.eko-us.com

## Commercial Trough Countersink

Model Number: EKOTS-COM



Ordering Options	Faucet Model: _____					Amount of Faucets: _____				
Counter Length:	60"	72"	78"	84"	90"	96"	Basin Length:	50"	68"	80"
Side Apron:	None	Left Side	Right Side				Both Sides			
Material:	EkoPure	EkoStone	EkoVitra	EkoTwist						
Color:	_____					Customer: _____				
Project:	_____					Date: _____				